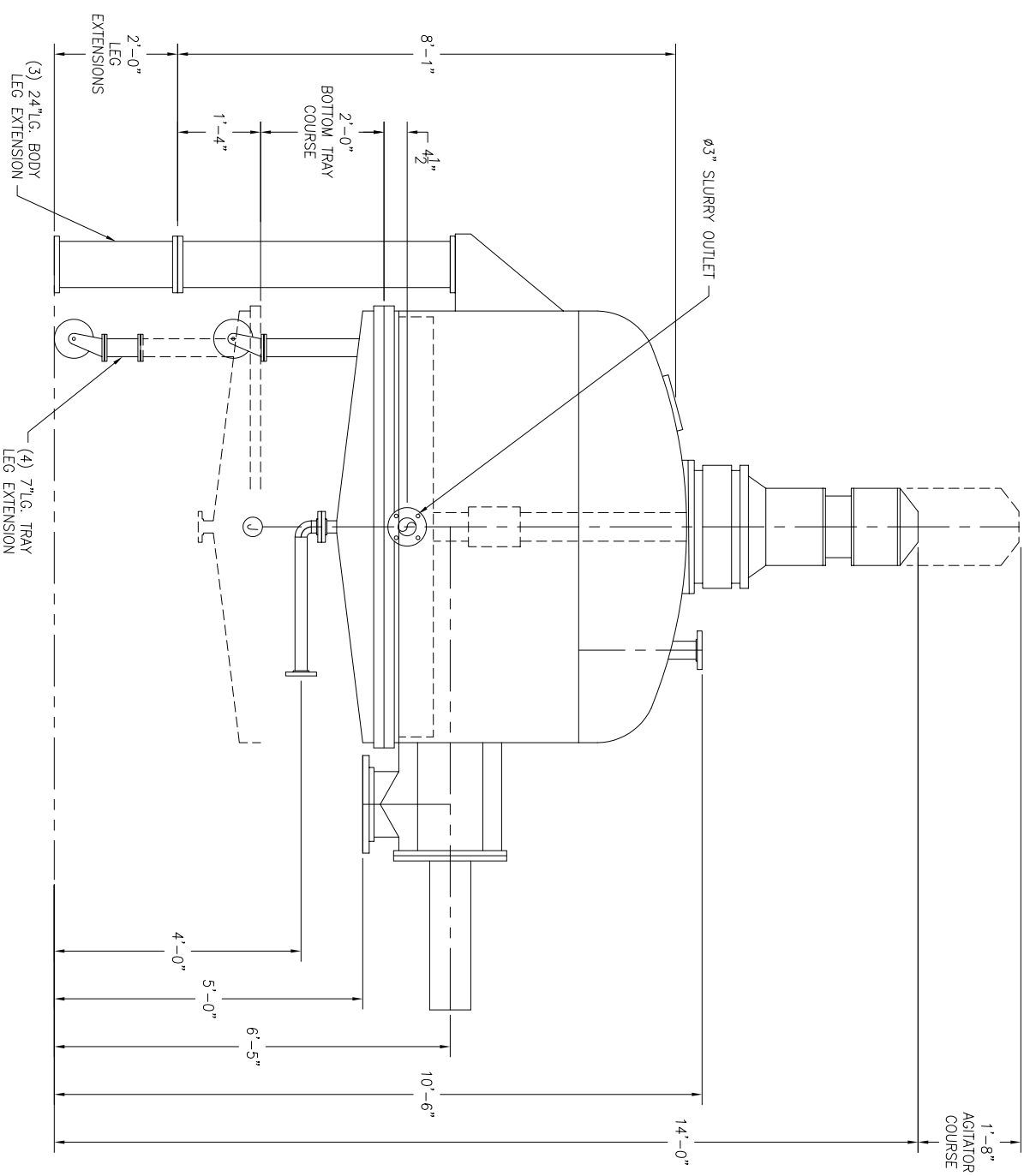


**NOZZLE SCHEDULE**

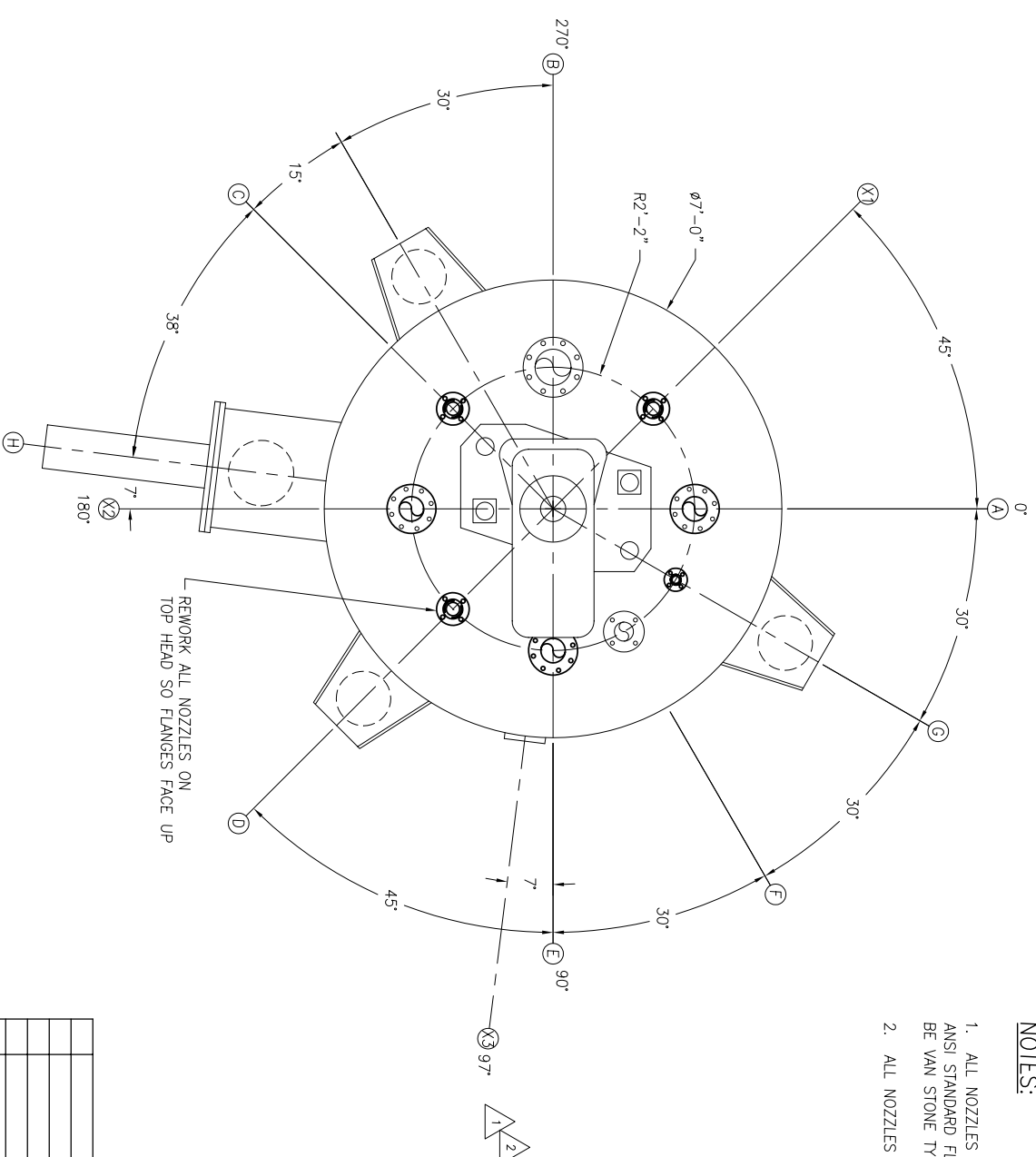
MARK	QTY.	SIZE	RATING	TYPE	DESCRIPTION
A	1	4"	150#	PAD	SIGHT WINDOW
B	1	6"	150#	V/S	LEVEL TRANSMITTER
C	1	2"	150#	V/S	PRESSURE GAUGE / TRANSMITTER
D	1	2"	150#	V/S	SPRAY WASHING
E	1	4"	150#	V/S	PRESSURE RELIEF
F	1	3"	150#	V/S	VENT
G	1	1"	150#	V/S	NITROGEN PURGE
H	1	-	-	-	SIDE DISCHARGE
J	1	2"	150#	V/S	BOTTOM DISCHARGE
X1	1	2"	150#	150#	FILL
X2	1	4"	150#	PAD	SIGHT GLASS W/ LIGHT
X3	1	3"	150#	-	SLURRY OUTLET

**NOTES:**

1. ALL NOZZLES TO BE CHANGED FROM DIN TO ANSI STANDARD FLANGE SIZES. ALL FLANGES TO BE VAN STONE TYPE.
2. ALL NOZZLES ON TOP HEAD TO FACE UPWARD.



**ELEVATION**



**ORIENTATION PLAN**

REV	DESCRIPTION	BY	DATE
2	CORRECTED 3" SLURRY OUTLET NOZZLE TAG (WAS X2)	SRB	3/30/04
1	ADDED NOZ. X3" SLURRY OUTLET	SRB	3/19/04

**VanDeMark**  
 Subsidiary of ISOICHEM GROUP, S.M.E.  
 One North Transit Road  
 Lockport, NY 14094-1712  
 Phone (716) 433-6764

SORGUES FILTER-NUTSCHE  
 ORIENTATION PLAN & ELEVATION  
 PROPOSED CHANGES

DESIGN: SRB	DATE: 2/16/04	SCALE: 3/8"=1'-0"
APPR:	RELEASED:	DATE:
DRAWING No. 090103-6-02	REV. 2	