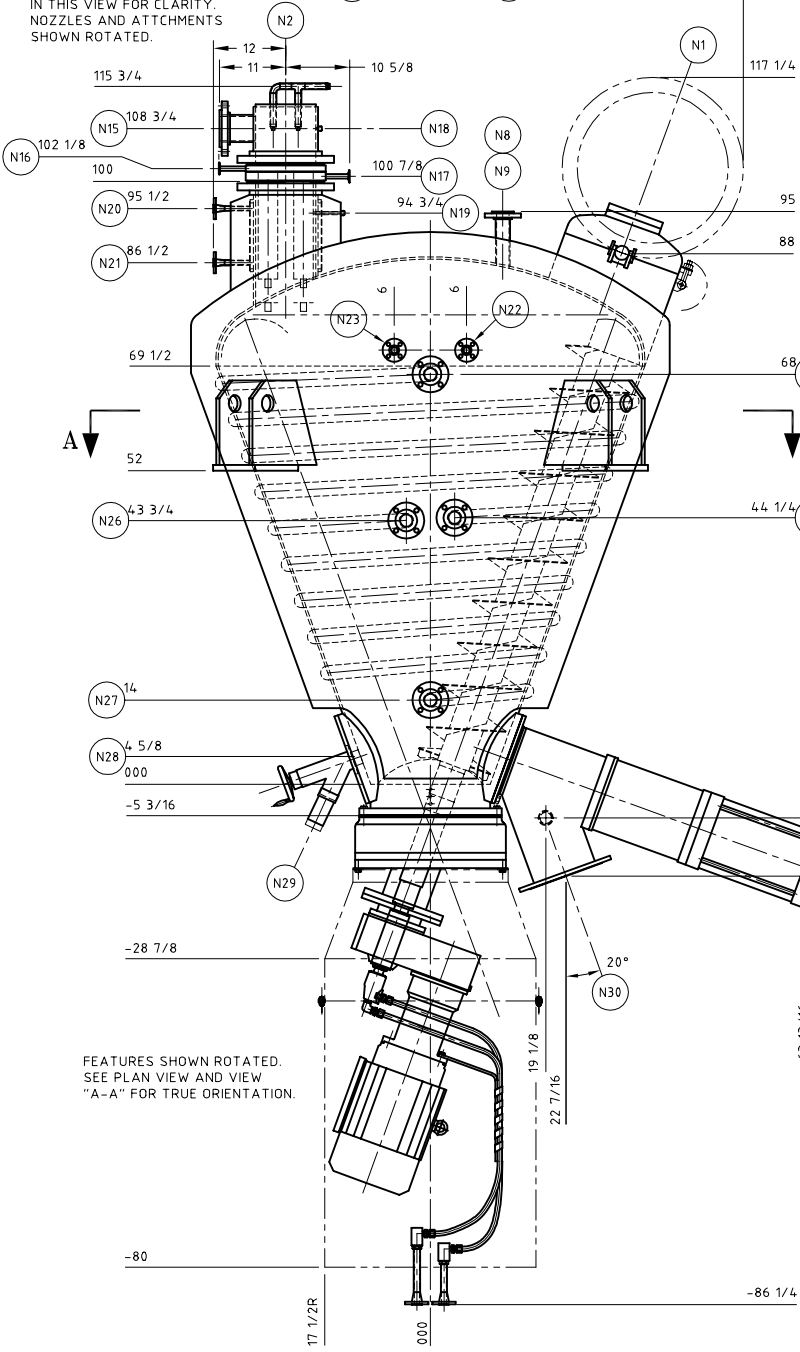
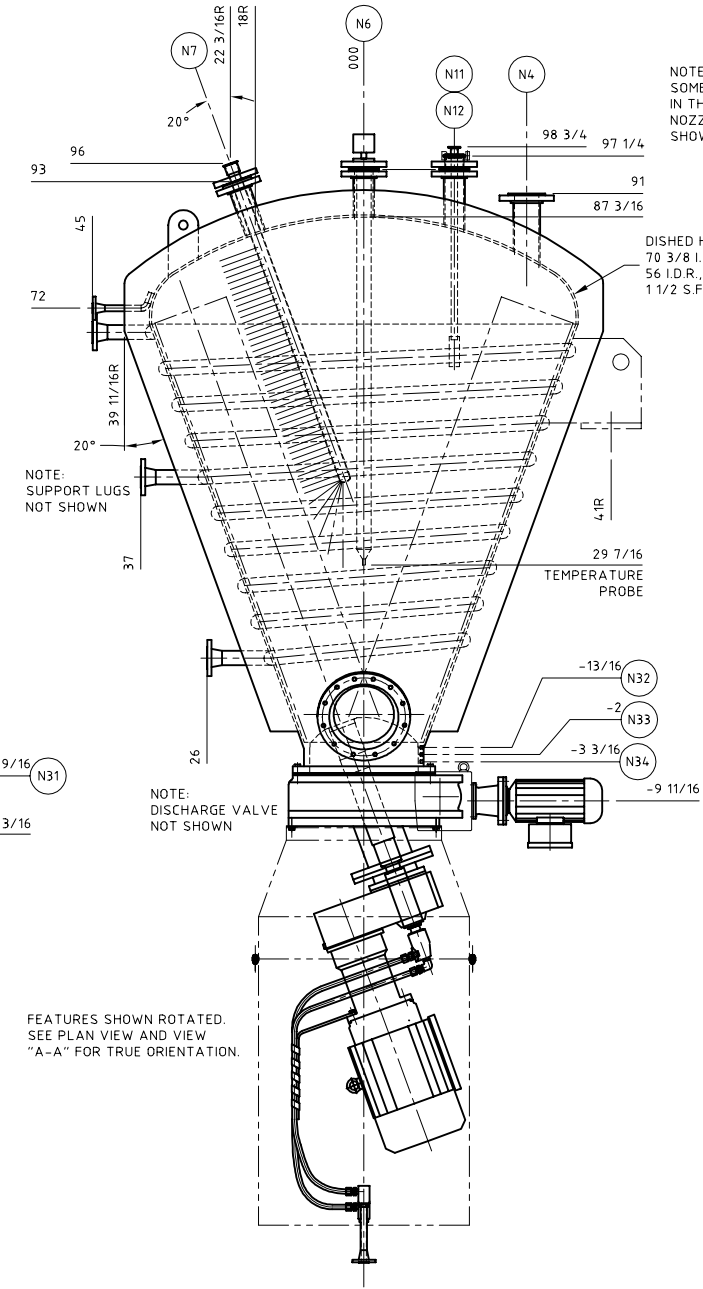


NOTE:  
SOME HEAD NOZZLES OMITTED  
IN THIS VIEW FOR CLARITY.  
NOZZLES AND ATTCHMENTS  
SHOWN ROTATED.

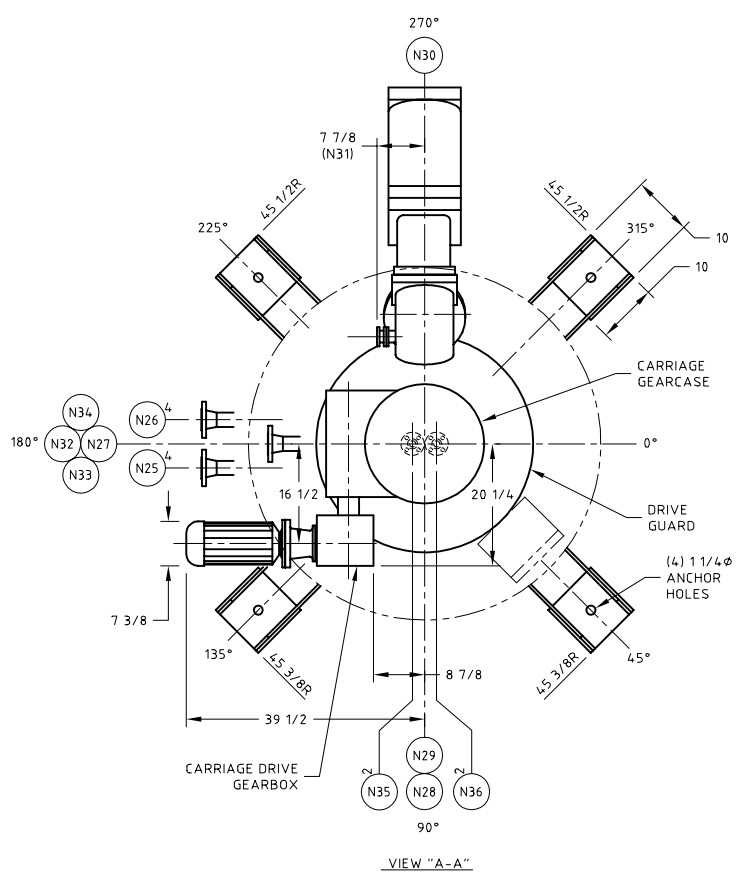
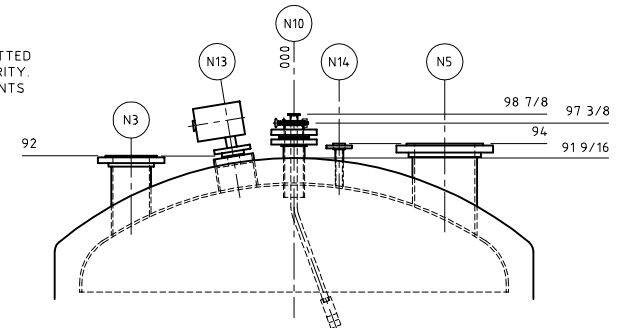


FEATURES SHOWN ROTATED.  
SEE PLAN VIEW AND VIEW  
"A-A" FOR TRUE ORIENTATION.



NOTE:  
SOME HEAD NOZZLES OMITTED  
IN THESE VIEWS FOR CLARITY.  
NOZZLES AND ATTCHMENTS  
SHOWN ROTATED.

FEATURES SHOWN ROTATED.  
SEE PLAN VIEW AND VIEW  
"A-A" FOR TRUE ORIENTATION.



VIEW "A-A"

REV	REVISION DESCRIPTION	APP	BY	DATE
0.0	TOLERANCES UNLESS SPECIFIED: DECIMAL INCH: ± 0.050 FRACTIONAL: ± 1/32 0.00 ± 0.010 ANGULAR: ± 1/2° 0.000 ± 0.005			
	MODEL: MT2/300 DRAWN: MER CHECKED: JDM SCALE: 1/16			
	DATE: 02 May 01 DATE: 05 May 01 JOB: MT4378A			
COPYRIGHT - ALL RIGHTS RESERVED				
THIS DOCUMENT CONTAINS PROPRIETARY INFORMATION AND MAY NOT BE DISCLOSED TO OTHERS OR USED FOR MANUFACTURING PURPOSES WITHOUT WRITTEN PERMISSION FROM KRAUSS-MAFFEI PROCESS TECHNOLOGY, INC.				
<b>KRAUSS-MAFFEI</b> Process Technology				
Krauss-Maffei Process Technology, Inc.				
TITLE: GENERAL ARRANGEMENT CONICAL DRYER MT2/300				
DRAWING: D-4378-5-001				