

ARIZONA EASTMAN DIVISION
A DIVISION OF EASTMAN KODAK COMPANY

DESIGN NO. 12500
STATE REGISTRATION NO. 5014
ARC SERIAL NO. 5003-4V-603
ITEM NO. 3014-R-01
CLASS. AC
DATE 2000
MATERIALS LIST 25-950

PROJECT VERIFICATION

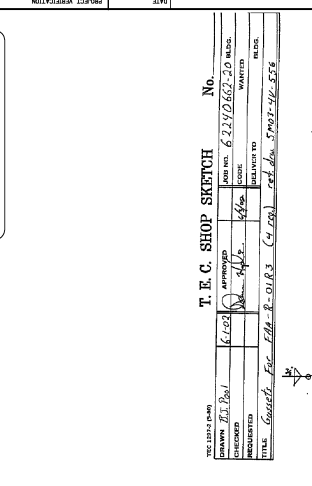
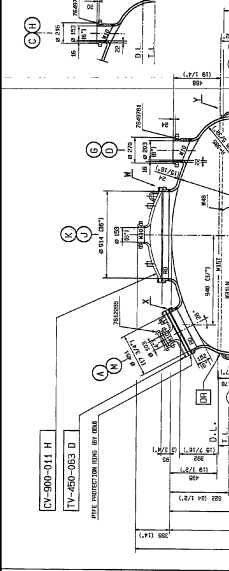
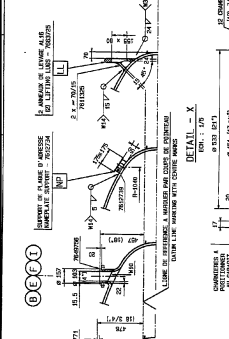
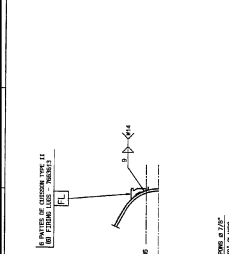
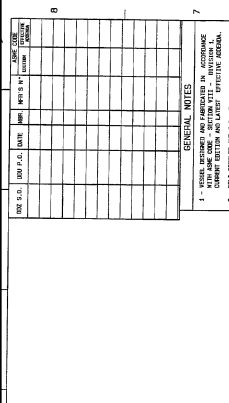
DATE 32 30 28 26 24 22 20 18 16 14 12 10 8 6 4 2

T. E. C. SHOP SKETCH No. 6.2.1/0602.20

DESIGNED BY: [Signature]
CHECKED BY: [Signature]
DATE: 6/2/00

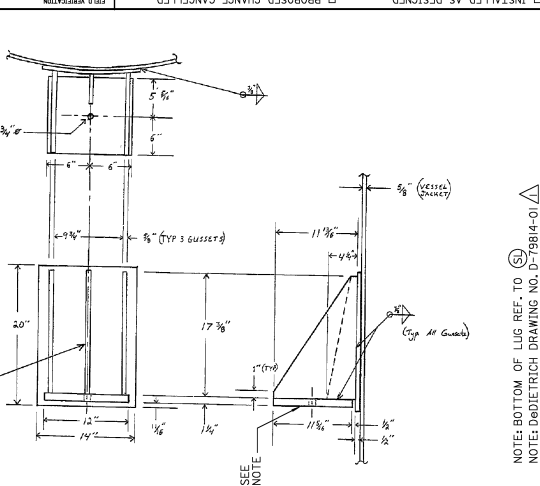
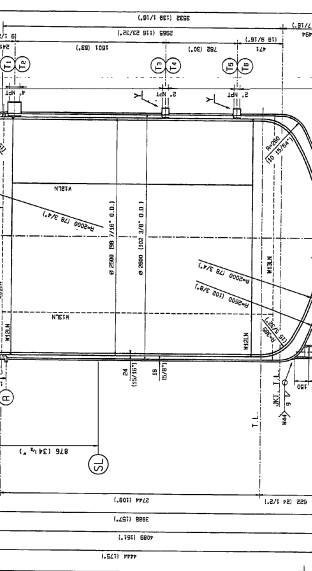
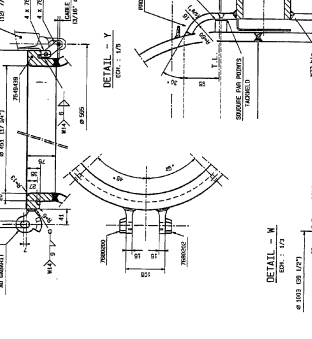
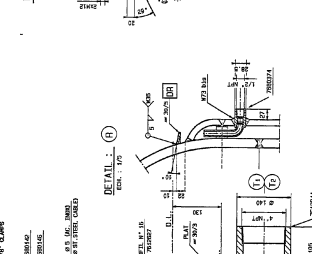
PROJECT NO. 12500
ITEM NO. 3014-R-01
CLASS. AC
DATE 2000

TEST PRESS P80 550
SHELL 550
SOFTY 550
JACKET 155



MATERIALS OF CONSTRUCTION

ITEM	DESCRIPTION	QUANTITY	UNIT
1	STEEL SHEET	100	SQ. FT.
2	STEEL SHEET	100	SQ. FT.
3	STEEL SHEET	100	SQ. FT.
4	STEEL SHEET	100	SQ. FT.
5	STEEL SHEET	100	SQ. FT.
6	STEEL SHEET	100	SQ. FT.
7	STEEL SHEET	100	SQ. FT.
8	STEEL SHEET	100	SQ. FT.
9	STEEL SHEET	100	SQ. FT.
10	STEEL SHEET	100	SQ. FT.
11	STEEL SHEET	100	SQ. FT.
12	STEEL SHEET	100	SQ. FT.
13	STEEL SHEET	100	SQ. FT.
14	STEEL SHEET	100	SQ. FT.
15	STEEL SHEET	100	SQ. FT.
16	STEEL SHEET	100	SQ. FT.
17	STEEL SHEET	100	SQ. FT.
18	STEEL SHEET	100	SQ. FT.
19	STEEL SHEET	100	SQ. FT.
20	STEEL SHEET	100	SQ. FT.



SA 4000 GALLONS BLASS LINED STEEL REACTOR

DE DIETRICH

ITEM # 3014-R-01

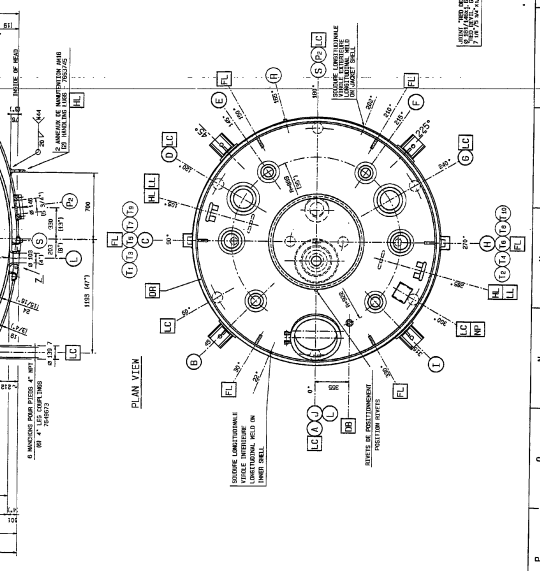
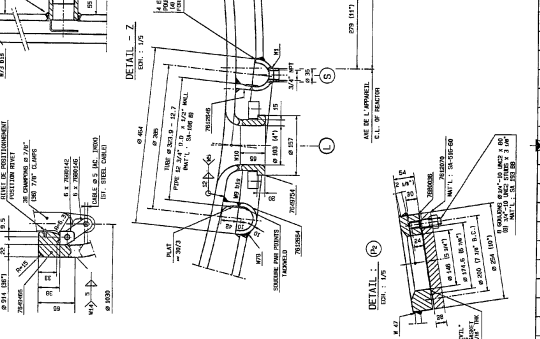
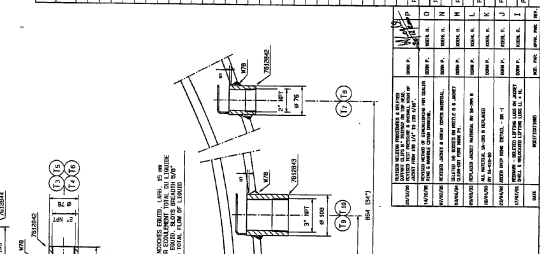
DATE 2000

TEST PRESS P80 550

SHELL 550

SOFTY 550

JACKET 155



REVISION HISTORY

NO.	DATE	DESCRIPTION
1	06/02/00	ISSUED FOR CONSTRUCTION
2	06/02/00	ISSUED FOR CONSTRUCTION
3	06/02/00	ISSUED FOR CONSTRUCTION
4	06/02/00	ISSUED FOR CONSTRUCTION
5	06/02/00	ISSUED FOR CONSTRUCTION
6	06/02/00	ISSUED FOR CONSTRUCTION
7	06/02/00	ISSUED FOR CONSTRUCTION
8	06/02/00	ISSUED FOR CONSTRUCTION
9	06/02/00	ISSUED FOR CONSTRUCTION
10	06/02/00	ISSUED FOR CONSTRUCTION
11	06/02/00	ISSUED FOR CONSTRUCTION
12	06/02/00	ISSUED FOR CONSTRUCTION
13	06/02/00	ISSUED FOR CONSTRUCTION
14	06/02/00	ISSUED FOR CONSTRUCTION
15	06/02/00	ISSUED FOR CONSTRUCTION
16	06/02/00	ISSUED FOR CONSTRUCTION
17	06/02/00	ISSUED FOR CONSTRUCTION
18	06/02/00	ISSUED FOR CONSTRUCTION
19	06/02/00	ISSUED FOR CONSTRUCTION
20	06/02/00	ISSUED FOR CONSTRUCTION

ORIGINAL JOB

NO.	DATE	DESCRIPTION
1	06/02/00	ISSUED FOR CONSTRUCTION
2	06/02/00	ISSUED FOR CONSTRUCTION
3	06/02/00	ISSUED FOR CONSTRUCTION
4	06/02/00	ISSUED FOR CONSTRUCTION
5	06/02/00	ISSUED FOR CONSTRUCTION
6	06/02/00	ISSUED FOR CONSTRUCTION
7	06/02/00	ISSUED FOR CONSTRUCTION
8	06/02/00	ISSUED FOR CONSTRUCTION
9	06/02/00	ISSUED FOR CONSTRUCTION
10	06/02/00	ISSUED FOR CONSTRUCTION
11	06/02/00	ISSUED FOR CONSTRUCTION
12	06/02/00	ISSUED FOR CONSTRUCTION
13	06/02/00	ISSUED FOR CONSTRUCTION
14	06/02/00	ISSUED FOR CONSTRUCTION
15	06/02/00	ISSUED FOR CONSTRUCTION
16	06/02/00	ISSUED FOR CONSTRUCTION
17	06/02/00	ISSUED FOR CONSTRUCTION
18	06/02/00	ISSUED FOR CONSTRUCTION
19	06/02/00	ISSUED FOR CONSTRUCTION
20	06/02/00	ISSUED FOR CONSTRUCTION

MANAGEMENT & STAFF APPROVALS

NO.	DATE	DESCRIPTION
1	06/02/00	ISSUED FOR CONSTRUCTION
2	06/02/00	ISSUED FOR CONSTRUCTION
3	06/02/00	ISSUED FOR CONSTRUCTION
4	06/02/00	ISSUED FOR CONSTRUCTION
5	06/02/00	ISSUED FOR CONSTRUCTION
6	06/02/00	ISSUED FOR CONSTRUCTION
7	06/02/00	ISSUED FOR CONSTRUCTION
8	06/02/00	ISSUED FOR CONSTRUCTION
9	06/02/00	ISSUED FOR CONSTRUCTION
10	06/02/00	ISSUED FOR CONSTRUCTION
11	06/02/00	ISSUED FOR CONSTRUCTION
12	06/02/00	ISSUED FOR CONSTRUCTION
13	06/02/00	ISSUED FOR CONSTRUCTION
14	06/02/00	ISSUED FOR CONSTRUCTION
15	06/02/00	ISSUED FOR CONSTRUCTION
16	06/02/00	ISSUED FOR CONSTRUCTION
17	06/02/00	ISSUED FOR CONSTRUCTION
18	06/02/00	ISSUED FOR CONSTRUCTION
19	06/02/00	ISSUED FOR CONSTRUCTION
20	06/02/00	ISSUED FOR CONSTRUCTION

ENGINEERING & STAFF APPROVALS

NO.	DATE	DESCRIPTION
1	06/02/00	ISSUED FOR CONSTRUCTION
2	06/02/00	ISSUED FOR CONSTRUCTION
3	06/02/00	ISSUED FOR CONSTRUCTION
4	06/02/00	ISSUED FOR CONSTRUCTION
5	06/02/00	ISSUED FOR CONSTRUCTION
6	06/02/00	ISSUED FOR CONSTRUCTION
7	06/02/00	ISSUED FOR CONSTRUCTION
8	06/02/00	ISSUED FOR CONSTRUCTION
9	06/02/00	ISSUED FOR CONSTRUCTION
10	06/02/00	ISSUED FOR CONSTRUCTION
11	06/02/00	ISSUED FOR CONSTRUCTION
12	06/02/00	ISSUED FOR CONSTRUCTION
13	06/02/00	ISSUED FOR CONSTRUCTION
14	06/02/00	ISSUED FOR CONSTRUCTION
15	06/02/00	ISSUED FOR CONSTRUCTION
16	06/02/00	ISSUED FOR CONSTRUCTION
17	06/02/00	ISSUED FOR CONSTRUCTION
18	06/02/00	ISSUED FOR CONSTRUCTION
19	06/02/00	ISSUED FOR CONSTRUCTION
20	06/02/00	ISSUED FOR CONSTRUCTION

CONTRACTOR APPROVALS

NO.	DATE	DESCRIPTION
1	06/02/00	ISSUED FOR CONSTRUCTION
2	06/02/00	ISSUED FOR CONSTRUCTION
3	06/02/00	ISSUED FOR CONSTRUCTION
4	06/02/00	ISSUED FOR CONSTRUCTION
5	06/02/00	ISSUED FOR CONSTRUCTION
6	06/02/00	ISSUED FOR CONSTRUCTION
7	06/02/00	ISSUED FOR CONSTRUCTION
8	06/02/00	ISSUED FOR CONSTRUCTION
9	06/02/00	ISSUED FOR CONSTRUCTION
10	06/02/00	ISSUED FOR CONSTRUCTION
11	06/02/00	ISSUED FOR CONSTRUCTION
12	06/02/00	ISSUED FOR CONSTRUCTION
13	06/02/00	ISSUED FOR CONSTRUCTION
14	06/02/00	ISSUED FOR CONSTRUCTION
15	06/02/00	ISSUED FOR CONSTRUCTION
16	06/02/00	ISSUED FOR CONSTRUCTION
17	06/02/00	ISSUED FOR CONSTRUCTION
18	06/02/00	ISSUED FOR CONSTRUCTION
19	06/02/00	ISSUED FOR CONSTRUCTION
20	06/02/00	ISSUED FOR CONSTRUCTION