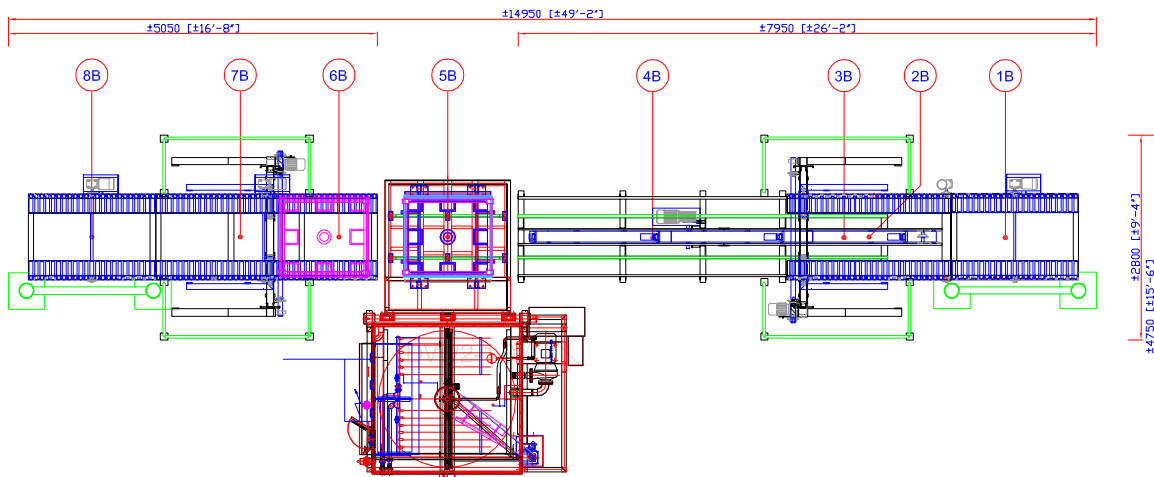
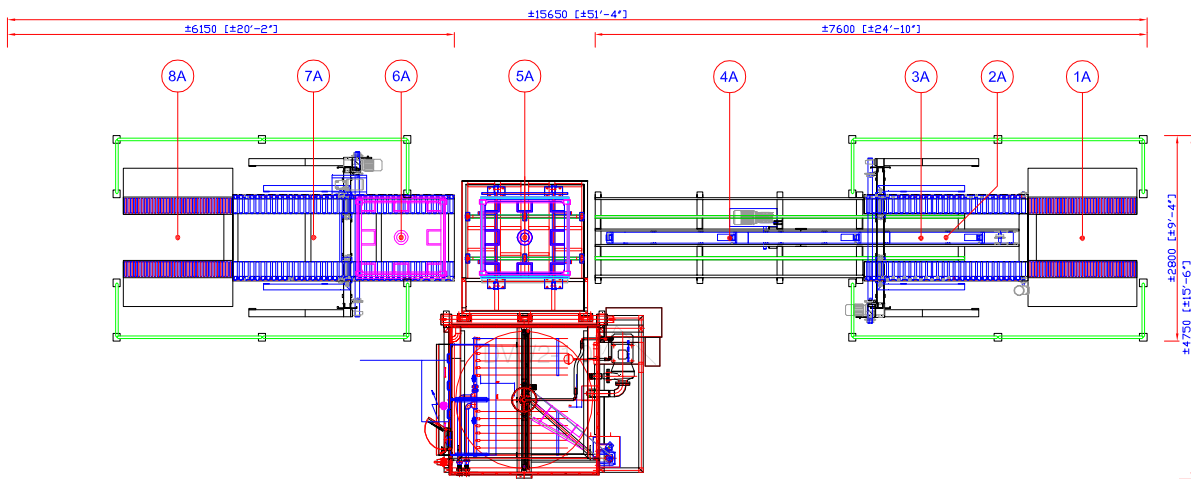
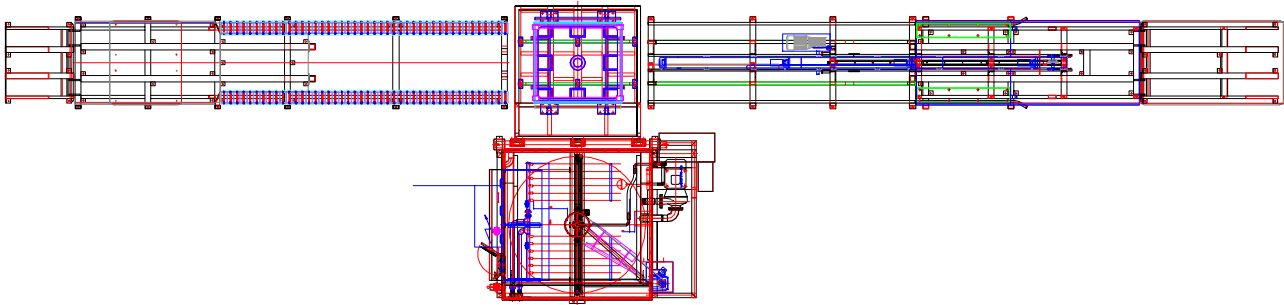


**DIMENSIONS AND CHANGES WITH RESERVATION**



- 1A LIFTING TABLE (hydraulic)
- 1B INFEEED ROLLER CONVEYOR
- 2A/B ROLLER-CONVEYOR
- 3A/B BIN DESTACKER
- 4A/B BEAM CONVEYOR (existing)
- 5A/B CONTAINER WASHING INSTALLATION CWM 1000 (existing)
- 6A/B ROLLER CONVEYOR
- 7A/B BIN STACKER
- 8A LIFTING TABLE (hydraulic)
- 8B OUTFEED ROLLER CONVEYOR

A First publication		IZO	26-5-04
Rev. Description		Drawn	Check Date
Hatfield Quality Meat			
Machine: Modification in- & outfeed conveying system		Scale: 1: 50	
	Systemate Numafa B.V. Edisonstraat 1-3 3281 NC Numansdorp, The Netherlands Tel: +31-186-650750 / 0850 Fax: +31-186-654111 / 1065 e-mail: info@systematenumafa.nl	Quotation: 020234	Size: A2
	This drawing remains property of SYSTEMATE NUMAFA B.V., and may not be reproduced in any way, without written permission of SYSTEMATE NUMAFA B.V.		Drawing number: 00006200
Path : F:\DATA\OFFERTE\1001002\1000006200.DWG		Plot Date :	Plot Time :