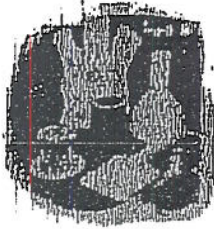


244 Sheffield Street  
Mountainside, NJ 07092  
PHONE 908-317-2585 FAX 908-889-4960  
www.ddpsinc.com sales@ddpsinc.com  
spare parts &  
support services

# PLUG CHART

Follow up results pages



Customer: Merck/Baker SAI#: \_\_\_\_\_  
 Cust. PO#: \_\_\_\_\_ SO#: \_\_\_\_\_  
 Description: SA-1000 Gal. DeDietrich Reactor. SN#: 34974  
 Item: \_\_\_\_\_ NE#: 5642

Size and Type:

Δ Plug #1: \_\_\_\_\_  
 #2: NO  
 #3: Plugs  
 #4: \_\_\_\_\_  
 #5: \_\_\_\_\_

Patch or Sleeve: None

Comments: Spark tested all glass  
Surfaces using a 6000 Volt DC  
tester. No Contacts detected.  
Firepolish is in good Condition.  
Bottom head has Several  
Scratches throughout. Overall  
Condition of Vessel in Fair to  
good Condition.

Inspected by: Ed Perrine

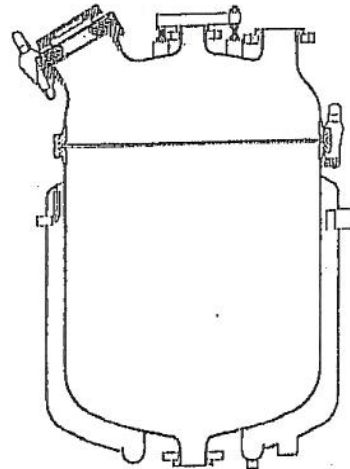
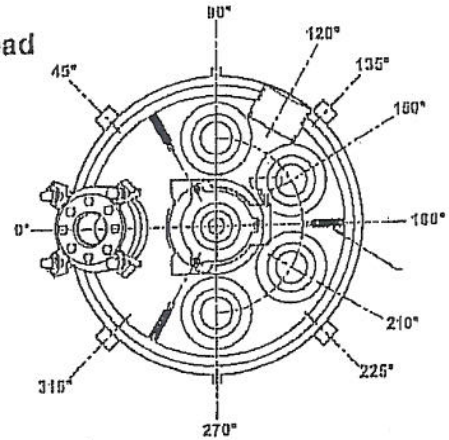
Date: Dec. 2, 2009

Quantity of Plugs: \_\_\_\_\_

Other: \_\_\_\_\_

Approved by: \_\_\_\_\_

Top Head



Bottom Head

