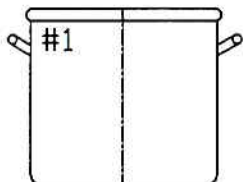
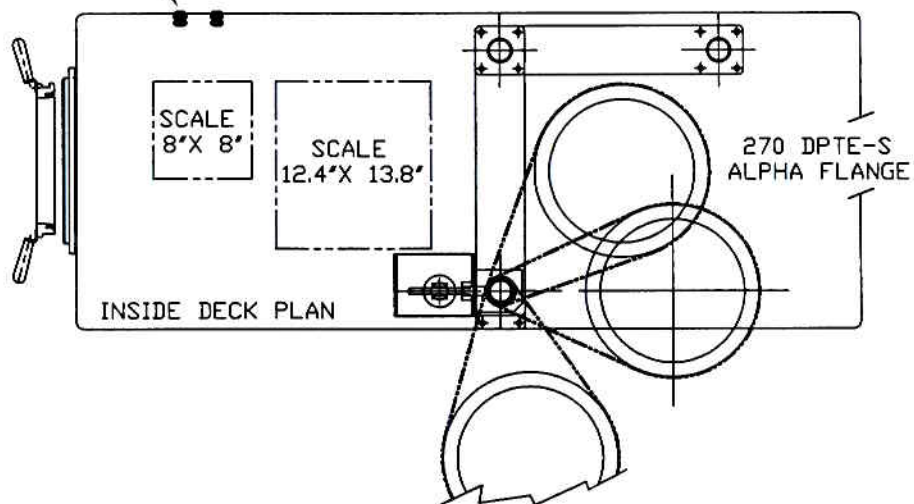


-2 POWER INPUTS FOR SCALES



Product Container Processed
(See drawing #36601)