



spare parts &
 support services

PLUG CHART

LISTING 8 261

Customer: R. Baker/Merck SA#: _____
 Cust. PO#: _____ SO#: TOP Vessel
 Description: CTJ-200 Gal DeDietrich Reactor SN#: 35061/34499
 Item: TA-147 NE#: 5706/5138

Size and Type:

Δ Plug #1: _____
 #2: No
 #3: Plugs
 #4: _____
 #5: _____

Patch or Sleeve: None

Comments: Spark Tested all glass lined surfaces using a 1000 Volt DC Tester. No contacts detected. Firepolish is in good condition. Vessel has a Detroit Curve Agitator and Beaver Tail Baffle. Over all condition of vessel is Good.

Inspected by: Ed Perrine

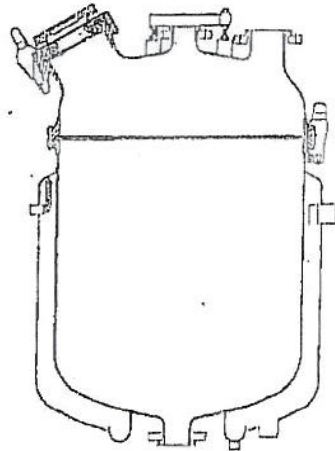
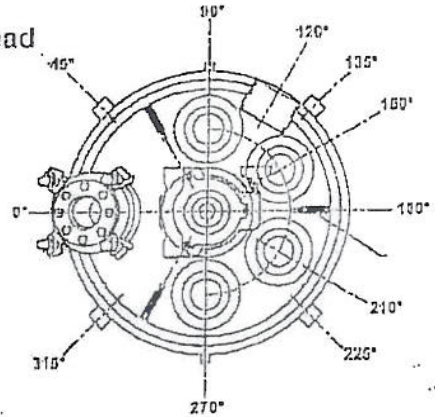
Date: Sept. 23, 2010

Quantity of Plugs: _____

Other: _____

Approved by: _____

Top Head



Bottom Head

