

XT6-907-006

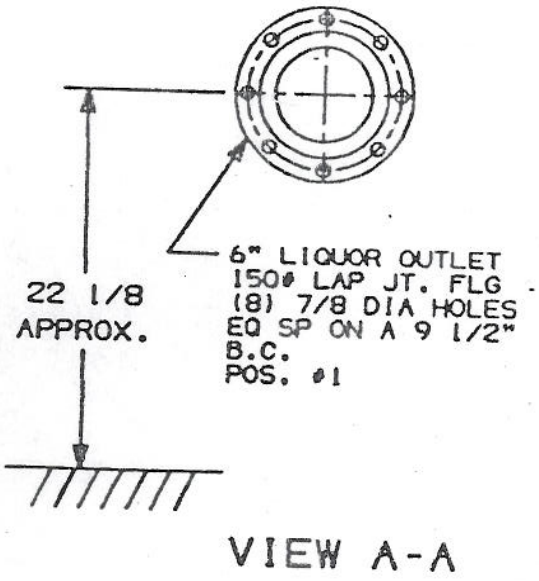
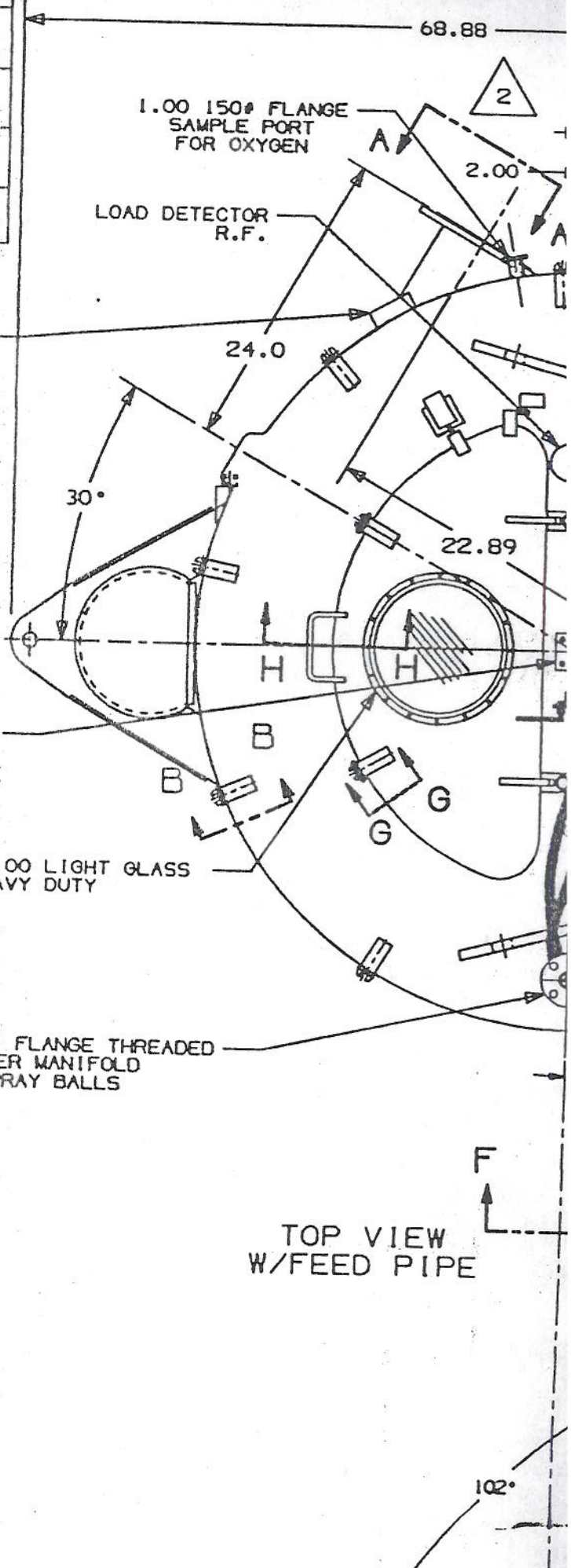
FOR ENGINEERING REFERENCE

XT6-907-001

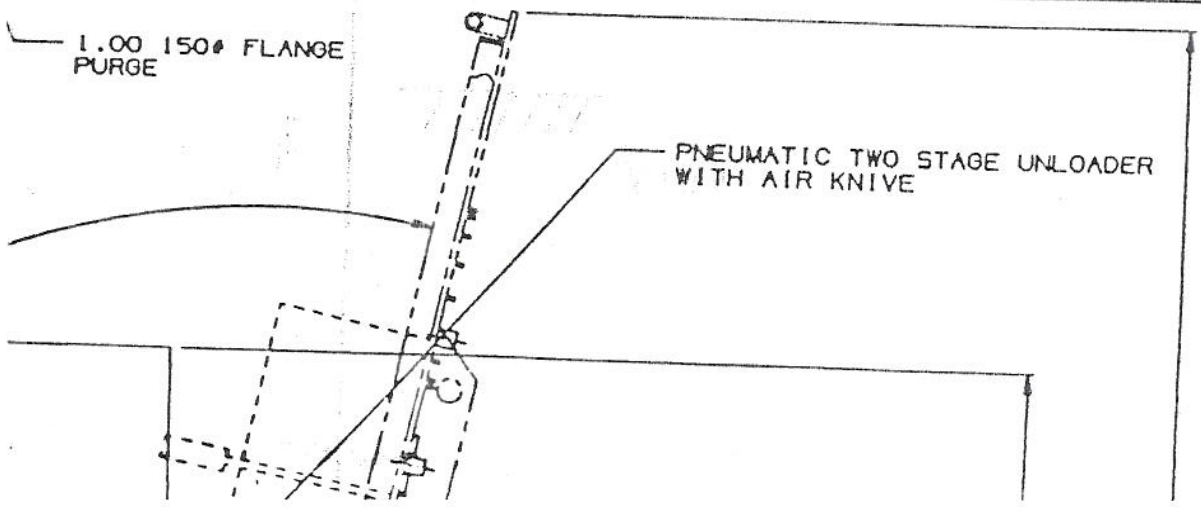
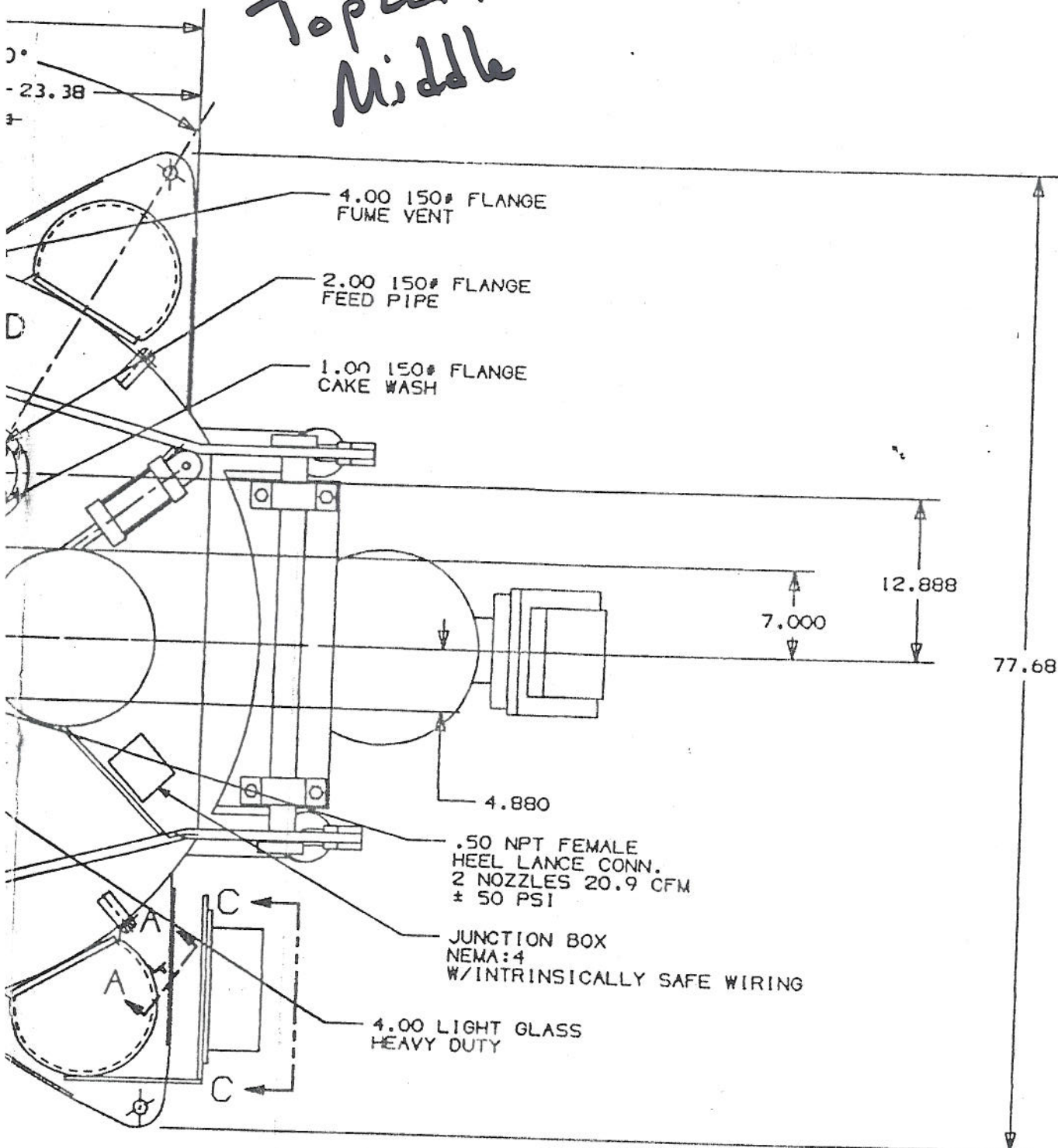
5006-666-D

PART NUMBER FIRST USED: CK829-1

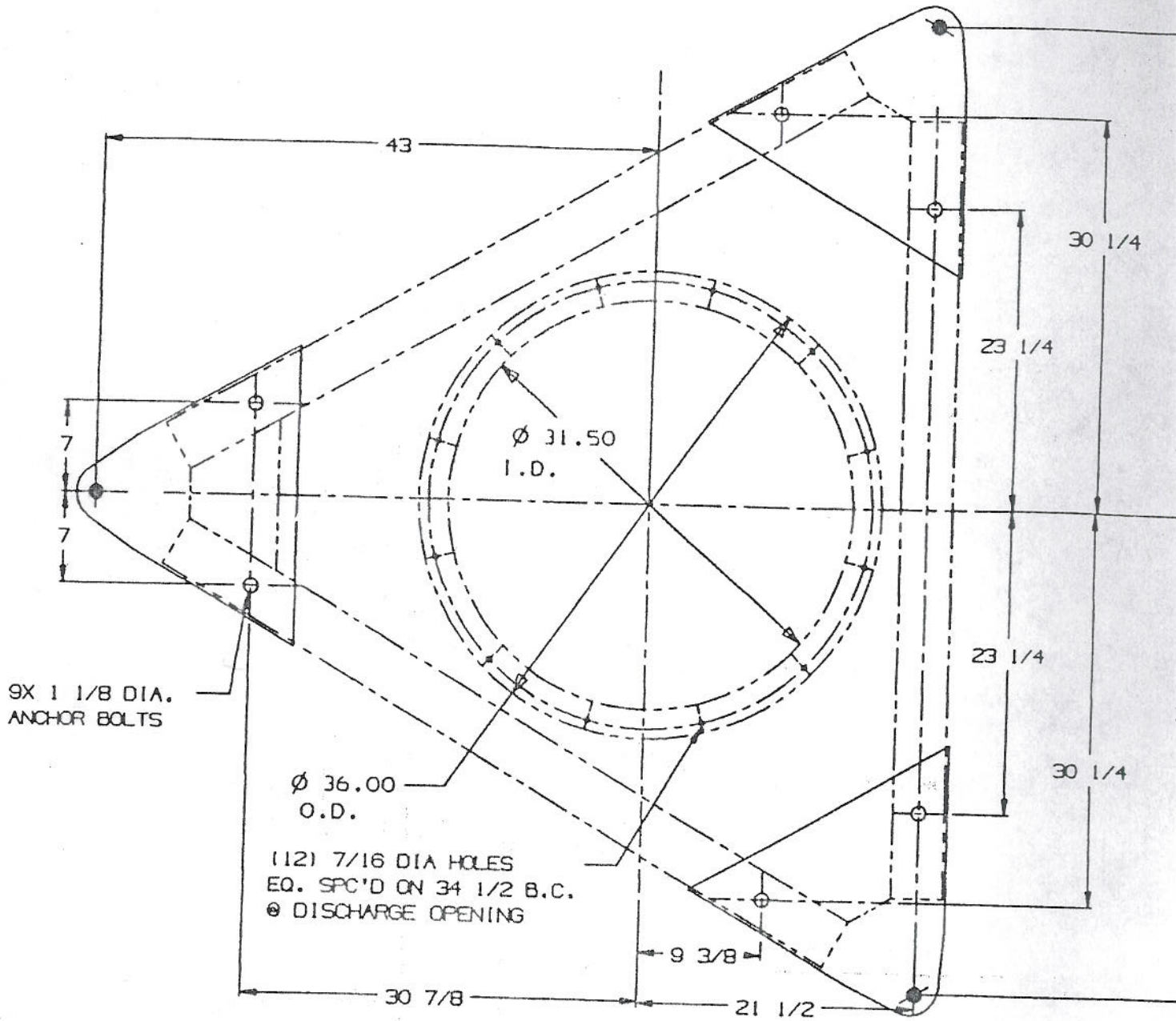
Top Left



Top Left
Middle



Top Right Middle



PLAN OF FOUNDATION BOLTS



- INDICATES ANCHOR BOLTS TO PROJECT 4.50 ABOVE FOUNDATION (6 PLACES)
- INDICATES ANCHOR BOLTS TO PROJECT 1.50 ABOVE FOUNDATION (3 PLACES)

Top
Right

K

J

I

H

"Property of Ektachrome Co.
Receiver agrees not to use, copy or

OCT 0 1993

disclose except as required for the
purpose for which it was furnished"

G

Bottom
Left

50 15/16
APPROX.

8 1/8
APPROX.

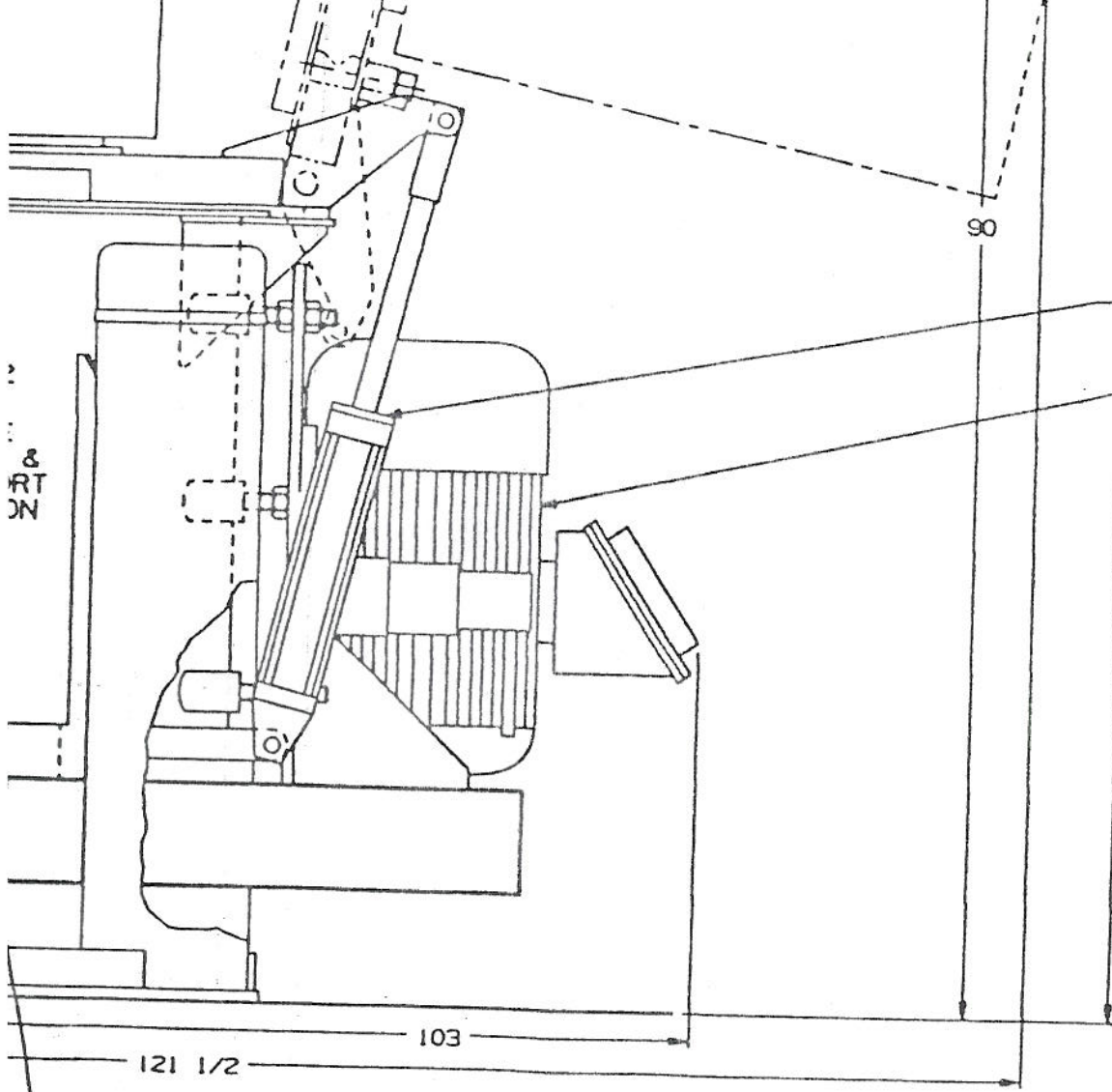
57 3/4 DIA.

54 3/4 DIA.

BASKET
ROTATION

3

THE OUTLINE AND FOUNDATION
IS INTENDED TO PROVIDE A
IT IS NOT MEANT TO INDICAT
MUST BE DESIGNED AND CONST
IN THIS FIELD. BIRD MACH
FOR THE DESIGN, CONSTRUCTION



PNEUMATIC CYLINDERS WITH BELLOWS COVER LIFT

30 HP ELECTRIC MOTOR EXP. PROOF CLASS 1. GROUP C & D, DIV. 1 USED WITH REMOTE VFD. (460 V., 3 PH, 60 HZ) WITH THERMOGUARD & INVERTER SERVICE

*Bottom Left
middle*

GREASE FITTINGS
SPINDLE BEARINGS

PEED SENSOR
ICK-UP HEAD

E

3 SUPPLIED BY BIRD MACHINE CO.
IT, ALONG WITH LOADING DATA.
TION DESIGN. THE FOUNDATION
BY AN INDIVIDUAL KNOWLEDGEABLE
ANY ACCEPTS NO RESPONSIBILITY
ORKMANSHIP OF THE FOUNDATION.

THIS DRAWING AND ALL INFORMATION THEREOF IS THE PROPERTY OF BIRD MACHINE COMPANY AND IS CONFIDENTIAL AND MUST NOT BE MADE PUBLIC OR COPIED. THIS DRAWING IS LOANED AND SUBJECT TO RETURN UPON DEMAND AND NOT TO BE USED DIRECTLY OR INDIRECTLY IN ANY WAY DETRIMENTAL TO OUR INTERESTS.

© COPYRIGHT BIRD MACHINE COMPANY, INC. 1





CAUTION:

CHECK FEED PIPE OUTLET POSITION BEFORE OPENING CASE RING TO AVOID INTERFERANCE BETWEEN FEED PIPE AND BASKET TOP RING.

*Bottom
Right
Middle*

BIRD CUSTOMER: MERCK &
 CUSTOMER P.O.: PM 9547
 BIRD S.O.: CK829-1
 MACHINE SERIAL NO.: TZ-1

UNCERTIFIED TYPICAL: FOR GENERAL ARRANGEMENTS. DO NOT USE FOR INSTALLATION, FOUNDATION, OR STRUCTURAL PURPOSES.

FOR APPROVAL: UNLESS PRINTS ARE RETURNED TO BIRD MACHINE COMPANY, S. WALPOLE, MA, WITHIN 30 DAYS OF DATE TRANSMITTED FROM BIRD, WITH SPECIFICATIONS NOT TO PROCEED, DRAWING WILL BE CONSIDERED APPROVED AS SENT AND FABRICATION WILL BE SHOWN.

FINAL CERTIFIED: 2nd SET
 DISCARD ALL PRESENTLY HELD ISSUES OF THIS DRAWING.

SIGNED: M. A. Khan DATE: 10

NO.	DATE	REVISION	NAME	REV	CAD DRAWING UGV12 SHEET
0554	6/24/98	SEE ECO	KJC GC	3	TOLERANCES FOR MACHINED SURFACES: 1. ±.125 ±.04 1.0 ±.125 ±.02 1.00 ±.125 ±.01 1.000 ±.005 FOLLOW MANUFACTURING PRACTICES E.B.00-62 UNLESS OTHERWISE SPECIFIED. ALL FINISH SURFACES UNLESS OTHERWISE NOTED.
0047	2/25/98	SEE ECO	KJC MAK	2	
9874	1/20/98	SEE ECO	RRG MAK	1	
		NEW RELEASE		0	

